

5G Lab : A Modular, Adaptable 5G Network Testbed

Dive into the Potential of 5G for Your Business

The SecurityGen "5G Lab" is a fully functional, compact 5G network—a network-in-a-box that's both comprehensive and versatile in its capabilities and potential applications. Designed for organizations at any stage of their private wireless journey, whether already utilizing 5G or just exploring the idea, the "5G Lab" enables them to fully understand and leverage 5G technology for optimal connectivity, extended networks, or remote deployment use cases.

Easy to deploy, flexible, and scalable, the "5G Lab" provides IT teams with a platform to experiment with cellular technology, test new deployment configurations, and gain clarity on integrating cellular networks with existing infrastructure. This streamlined testbed approach allows businesses to move at the speed of agile development—testing and validating what works best in a cost-effective way. By simulating real-world performance and benefits, "5G Lab" enables businesses to understand exactly what value cellular connectivity can bring to their operations.

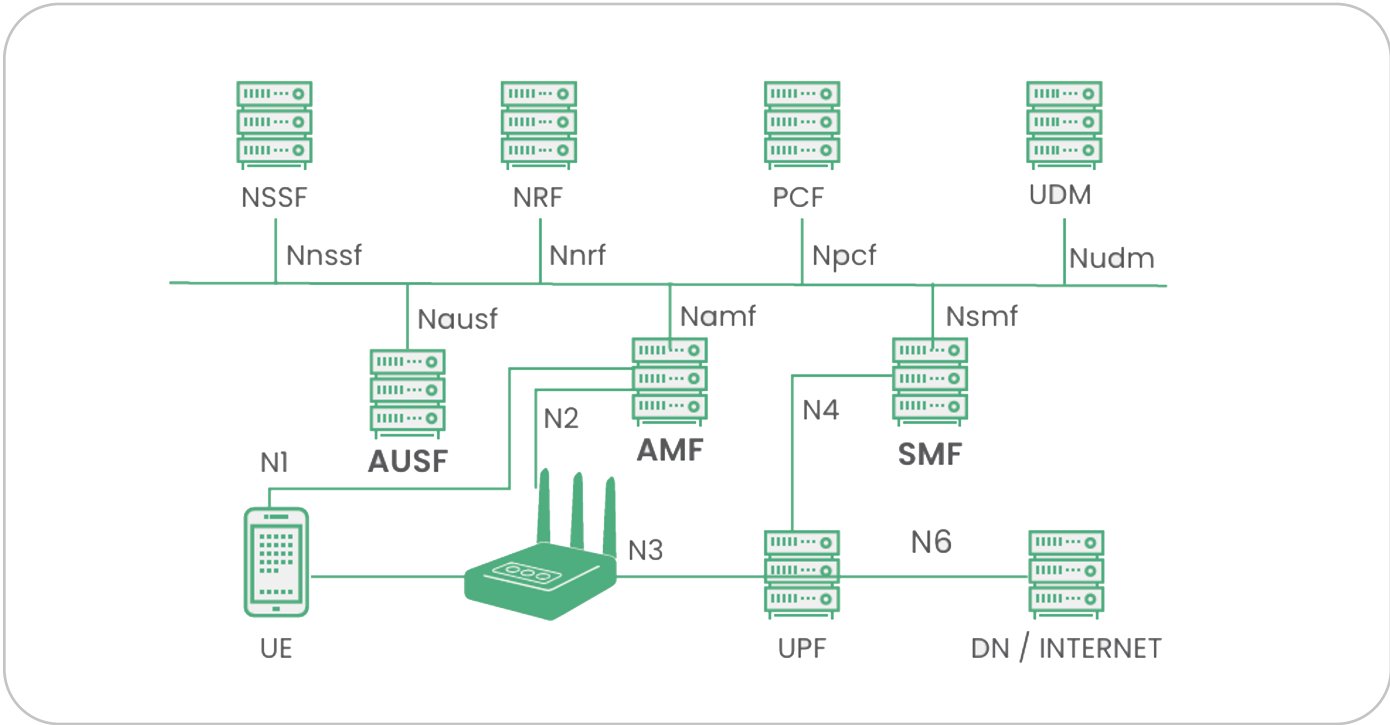
Key Questions Answered by 5G Lab

- 01 How can 5G wireless technology enhance business operations?
- 02 What deployment options make sense—bare minimum, optimal, or advanced?
- 03 How does it integrate with the current network?
- 04 How do critical applications perform on this network?
- 05 What impact does it have on security and operational resilience?

Technical Capabilities of the 5G Lab

Designed to empower organizations with realistic testing across multiple industries and use cases:

- **Vertical-Specific Flexibility:** "5G Lab" is customizable for various sectors, such as manufacturing, healthcare, and energy. This adaptability allows companies to test configurations specific to their operational and security needs, ensuring relevance and preparedness.
- **Network Slicing and QoS Management:** With support for network slicing, the lab enables testing across multiple virtual networks on shared infrastructure, simulating real-world performance under varying traffic conditions. This is essential for confirming that private networks maintain security and performance across diverse applications.
- **Seamless Multi-Interface Simulation and Integration:** The lab supports different interfaces, including NGAP, GTP-U, and Service-Based Interfaces, allowing for interoperability testing. This makes it ideal for validating how private networks integrate with public infrastructure and how they interact with existing systems.
- **Security Testing and Threat Simulation:** "5G Lab" provides a controlled environment where security teams can conduct threat simulations and test security protocols without affecting live network operations. This allows organizations to verify potential vulnerabilities and develop robust mitigation strategies, even experimenting with new types of security challenges.



Why Choose SecurityGen’s 5G Lab?

The "5G Lab" is a holistic testbed solution, combining technical depth with the flexibility to support industry-specific needs. By enabling secure, agile testing in a realistic 5G environment, it helps businesses explore 5G's benefits while ensuring alignment with their operational and security requirements.

 Hands-on experience with 5G connectivity

 Seamless integration testing for cellular and existing infrastructure

 Security validation and risk mitigation

 Efficient, agile setup—ideal for rapid testing and implementation

About SecurityGen

Founded in 2022, SecurityGen is a global leader in telecom cybersecurity, committed to empowering telecom operators and businesses worldwide with robust security solutions for secure digital transformation and resilient network operations.

Our extensive portfolio—featuring threat-intelligence-driven platforms, advanced 5G and LTE security modules, specialized training programs, and a dedicated 5G Cyber-security Lab—equips networks to counter evolving cyber threats and enables secure, scalable growth across public and private telecom infrastructures.

Connect With Us

Email: contact@secgen.com

Website: www.secgen.com

UK | Italy | Czech Republic | UAE | Egypt | Lebanon
India | Malaysia | Brazil | Mexico